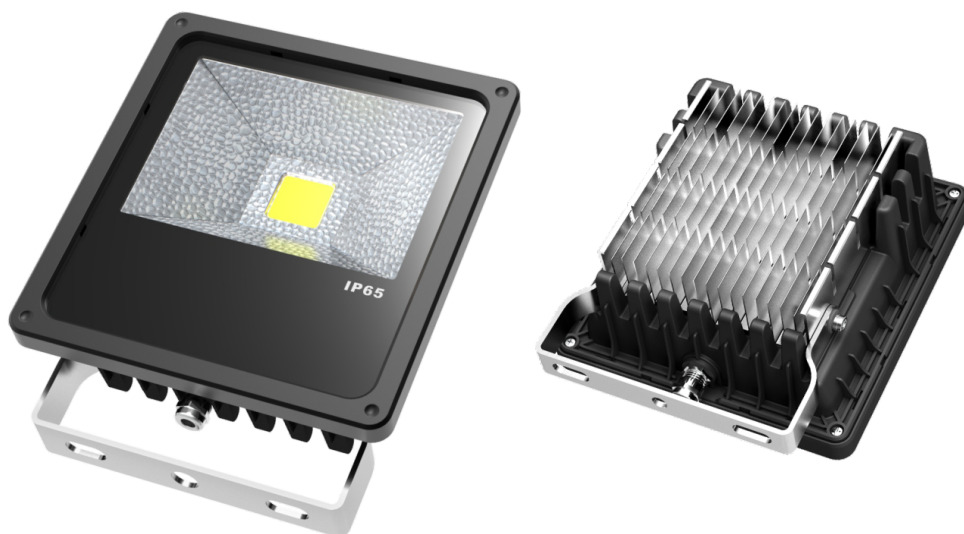


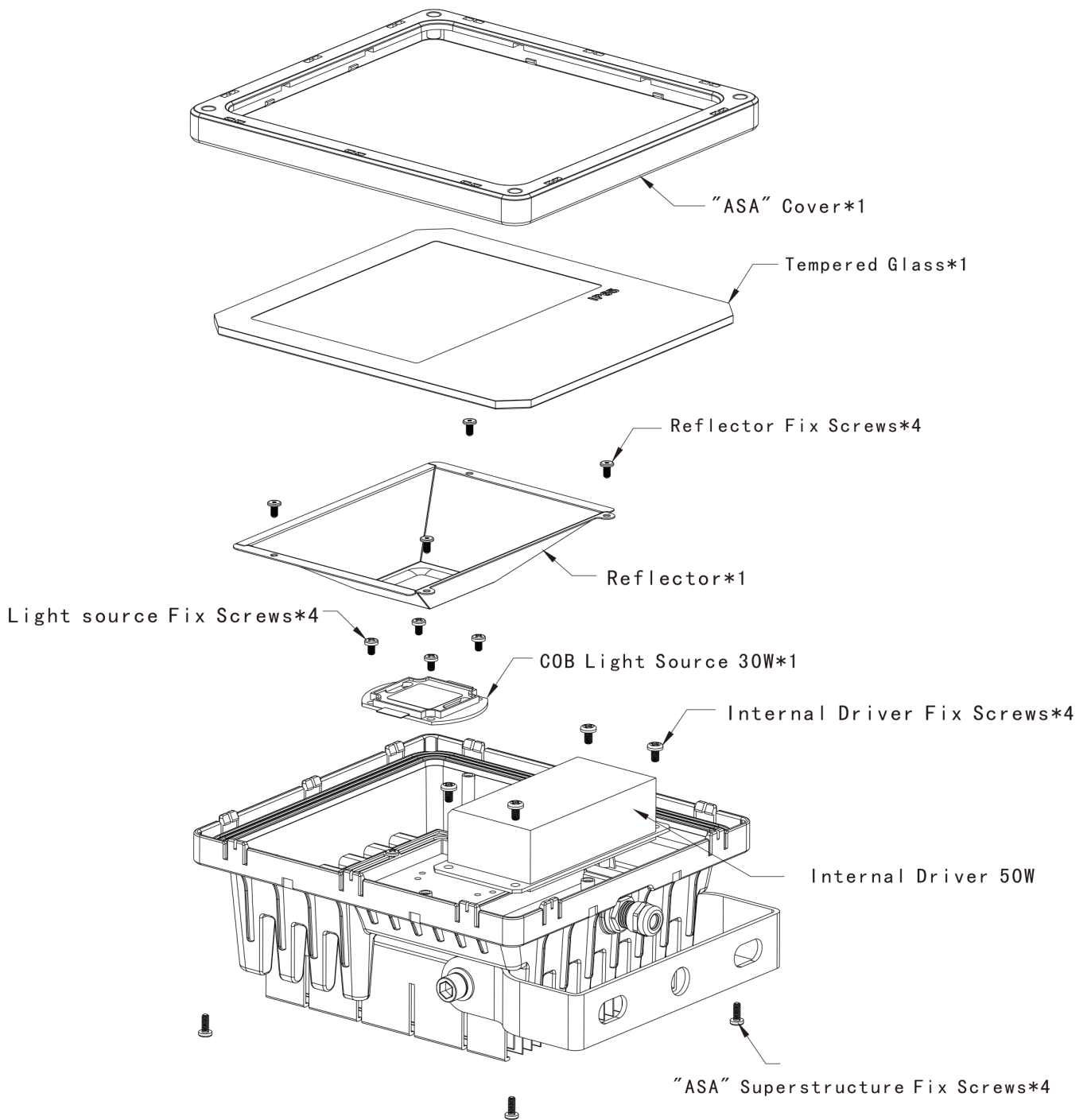
AR-FL-Slim-30W White



TECHNOLOGY/PARAMETER

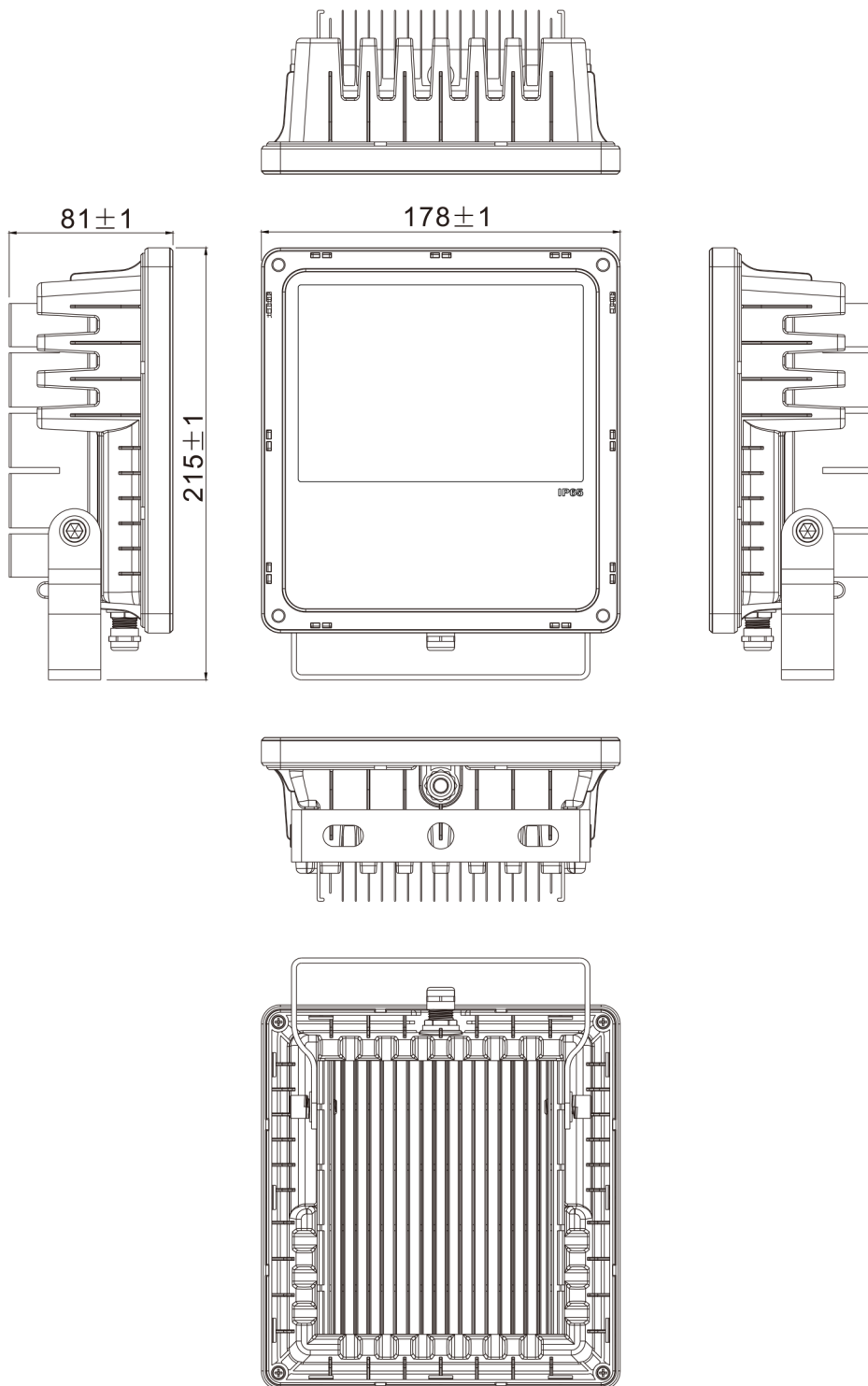
| | | | |
|---------------------------|------------------------------|---|------------------|
| Model: | AR-FL-Slim-30W White | Type: | Outdoor Lighting |
| Application: | Billboard, Plaza | Std&AUT: | CE, ROHS |
| Type | Item | Light Source Parameter | |
| Basic Parameter | LED Type and Qty | Voltage/Current | 0.9-1A, 33V |
| | | Quantity | 1Pcs COB |
| | Input Voltage | AC100V-240V | |
| | Main Material | Aluminum | |
| Appearance | Cover:Gray / Radiator:Silver | | |
| Electric Parameter | Color Temperature | 5500-6500K | |
| | Total Power | 30W | |
| | Total flux(LM) | 2400-2550LM | |
| | CRI | 75-85 | |
| | Other | Built-in Driver | |
| | Beam Angle | 120° | |
| | Efficacy(Lm/W) | 75-85LM/W | |
| | Package | High intensity Kraft paper / corrugated paper for outer packing | |
| | Operating Environment | Temperature: -20°C ~ +40°C Humidity: 20%-90% | |
| | Life | 50000 Hours | |

PRODUCT DRAWING (Unit: mm)

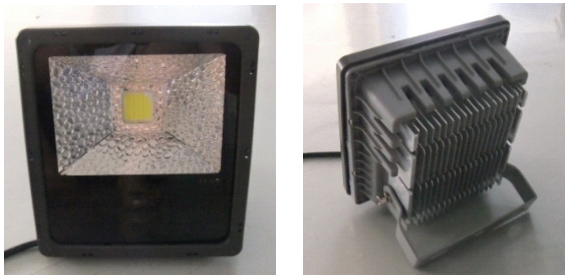

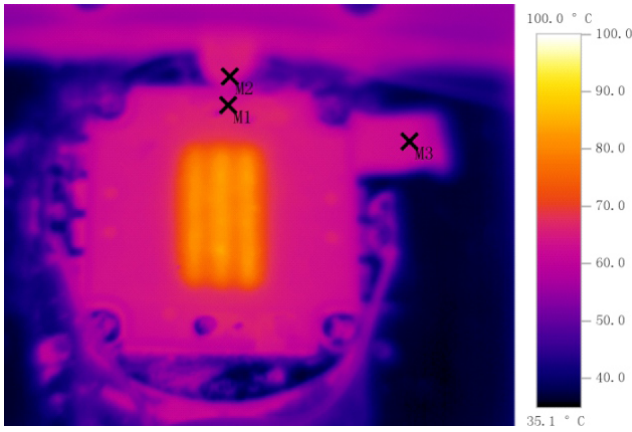
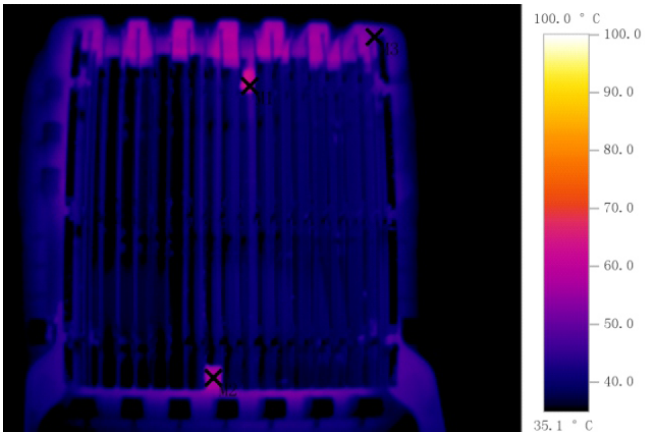


PRODUCT DRAWING (Unit: mm)

Weight: 2Kg±5%

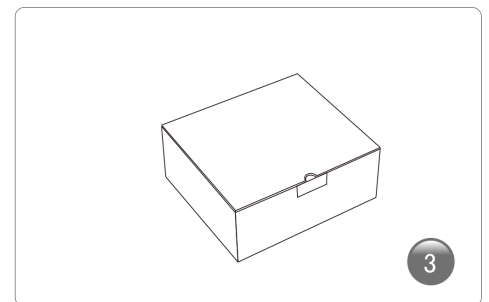
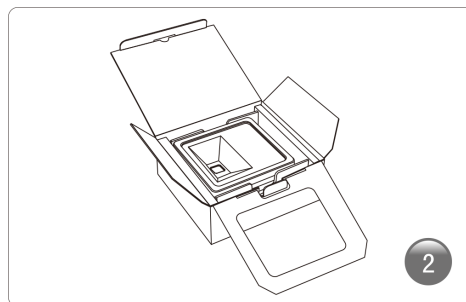
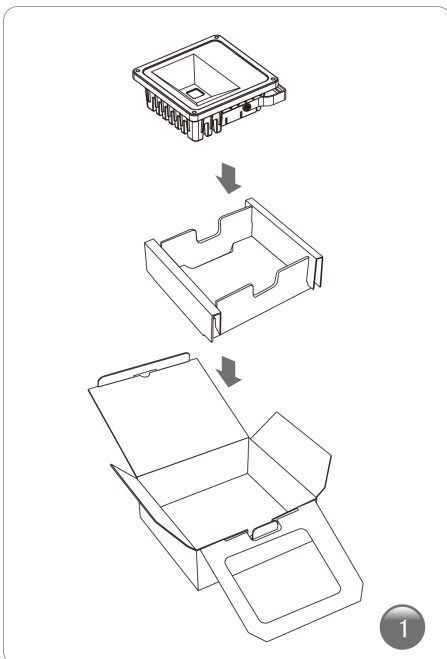


HEAT RADIATION TESTING REPORT

| | | | |
|--|--------------------|--|--|
| Test Mode: Baked-in Test | | Output Power: 30 W | |
| | | Input Voltage: AC 220V | |
| Test Instruments : • TESEO 881 - Infrared Thermography | | Light Source 1Pcs COB | |
| Test Time: After 4 hours' work | | Ambient Temperature 28.1°C | |
|  | | Test Instrument  | |
|  | |  | |
| Picture 1 | | Picture 1 | |
| Test Position | | Temperature, °C | |
| M1 | COB Surface | 64.8 | |
| M2 | Negative Electrode | 64.4 | |
| M3 | Radiator Bottom | 62.6 | |
| M1 | Radiator Bottom M1 | 62.5 | |
| M2 | Radiator Bottom M2 | 57.3 | |
| M3 | Plastic Cover | 48.6 | |

PACKAGE

- Small Box Package



Volume : 26 cm * 23.6 cm * 12.4 cm
Weight: 2 kg

- **Small Box Package**

Quantity: 10 x 2 Layer = 20 pcs/Carton

Weight: 42 kg

Volume: 63.5 cm x 49 cm x 55 cm \approx 0.171 m³

