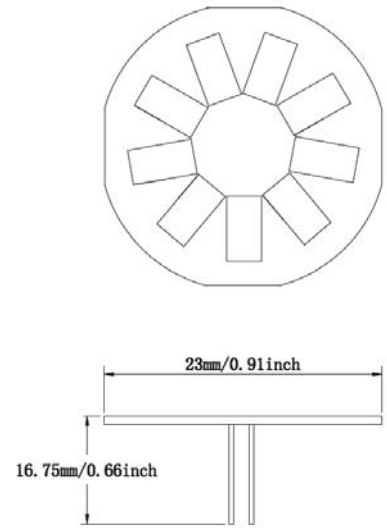


AR-G4BP-9E23-12V Warm White



Line-Up:

Category	Specifications	Unit
Watts	1.5	W
Lumens per Watt (Efficacy)	80	Lm/W
Light Output	120	lm
Light Color (CCT)	3000	K
Beam Angle	120	'(degree)
Color Accuracy (CRI)	80	Ra
Product Weight	2	g
Dimension (mm)	Φ23x16.75	mm
Rating Life	35 000	H
Base	G4	
Input Voltage (AC/DC)	12	V

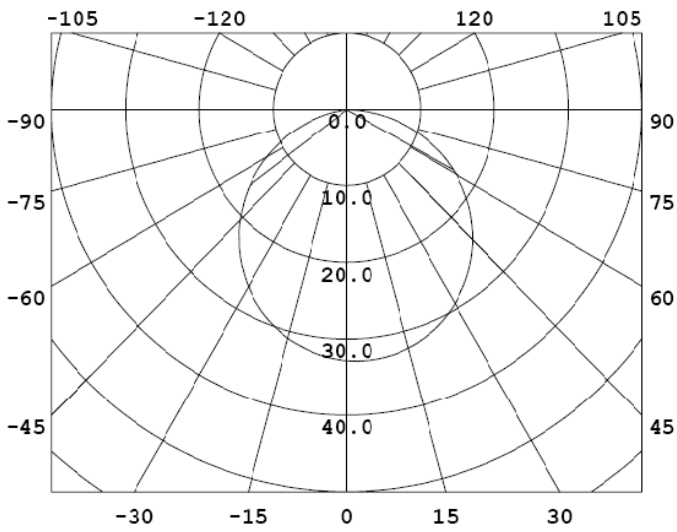
Technical Specifications:

Item	Test Conditions	Min.	Typ.	Max.
Input Voltage (V, rms)	AC	--	12	--
Input Current (mA, rms)	AC (12V)	--	125	--
Input Voltage (V, rms)	DC	10	12	20
Input Power (W, rms)	AC (All)	--	1.5	--
Input Frequency (Hz)	AC	--	20kHz	--
Power Factor (PF)	AC (All)	--		
Output Voltage (V)	DC	9	9.45	9.9
Output Current (A)	DC	125	130	135
Output Power (W)	DC	1.125	1.229	1.337

Environmental Requirements:

Specifications	Values
Operational Temperature Range	-20 ~ +40°C
Preservation Temperature Range	-20 ~ +90°C
Operational Humidity Range	95% Rh or belcw (@ -20 ~ +40°C)
Installation Area	Indoor (Counter, Residential, Commercial, etc)

Luminance Intensity Distribution:



Cone Lux Diagram:

