

ARL-5213UWC-35cd

FEATURES

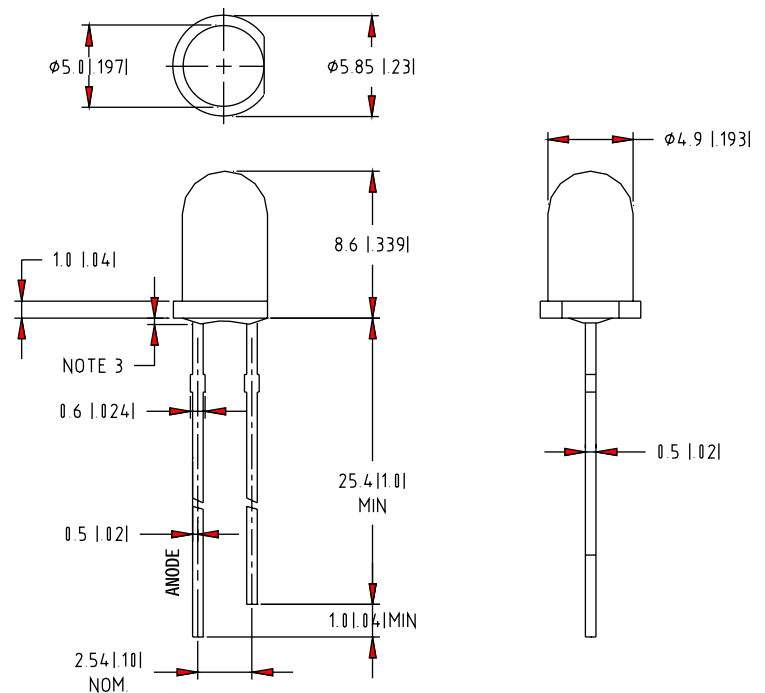
- High intensity
- Standard 5mm diameter package
- General purpose leads
- RoHS compliant



Notes

1. All dimensions are in millimeters (inches).
2. Tolerance is $\pm 0.25\text{mm}$ (.010") unless otherwise noted.
3. Protruded resin under flange is 1.0mm (.04") max.
4. Lead spacing is measured where the leads emerge from the package.
5. Specifications are subject to change without notice.
6. Precautions for ESD: Static electricity and surge can damages the LED. It is recommended to use a wrist band or anti-electrostatic glove when handling the LED. All devices, equipment and machinery must be properly grounded.

PACKAGE DIMENSIONS



| Part NO. | Chip Material | Lens Color | Emission Color |
|------------------|---------------|-------------|----------------|
| ARL-5213UWC-35cd | InGaN | Water Clear | White |

Absolute Maximum Rating at TA=25°C

| Parameter | MAX. | Unit |
|---|---------------------|-------|
| Power Dissipation | 80 | mW |
| Peak Forward Current (1/10 Duty Cycle, 0.1ms Pulse Width) | 100 | mA |
| Continuous Forward Current | 20 | mA |
| Derating Linear From 50°C | 0.4 | mA/°C |
| Reverse Voltage | 5 | V |
| Electrostatic Discharge (ESD) | 600 | V |
| Operating Temperature Range | -20°C to +80°C | |
| Storage Temperature Range | -30°C to +100°C | |
| Lead Soldering Temperature [4mm(.157") From Body] | 260°C for 5 Seconds | |

Electrical Optical Characteristics at TA=25°C

| Parameter | Symbol | Min. | Typ. | Max. | Unit | Test Condition |
|--------------------|--------|-------|-------|------|------|------------------|
| Luminous Intensity | IV | 25000 | 35000 | | mcd | IF=20mA (Note 1) |
| Viewing Angle | 2θ1/2 | 10 | 15 | 20 | Deg | (Note 2) |
| Forward Voltage | VF | 2.8 | 3.3 | 3.8 | V | IF=20mA |
| Reverse Current | IR | --- | --- | 10 | μA | VR=5V |

| Color Rank | x | y | x | y | x | y | x | y |
|------------|--------|--------|--------|--------|--------|--------|--------|--------|
| BIN A | 0.2020 | 0.1530 | 0.2206 | 0.1907 | 0.2542 | 0.1924 | 0.2355 | 0.1612 |
| BIN B | 0.2206 | 0.1907 | 0.2414 | 0.2307 | 0.2692 | 0.2176 | 0.2542 | 0.1924 |
| BIN C | 0.2414 | 0.2307 | 0.2616 | 0.2698 | 0.2843 | 0.2429 | 0.2692 | 0.2176 |
| BIN D | 0.2616 | 0.2698 | 0.2816 | 0.3083 | 0.2994 | 0.2684 | 0.2843 | 0.2429 |
| BIN E | 0.2816 | 0.3083 | 0.3032 | 0.3361 | 0.3131 | 0.2868 | 0.2994 | 0.2684 |
| BIN F | 0.3032 | 0.3361 | 0.3300 | 0.3705 | 0.3300 | 0.3094 | 0.3131 | 0.2868 |
| BIN G | 0.3300 | 0.3705 | 0.3622 | 0.3939 | 0.3548 | 0.3425 | 0.3300 | 0.3094 |

TYPICAL OPTICAL/ELECTRICAL CHARACTERISTICS CURVES (TJ=25°C Unless Otherwise Noted)

