

DALI -33-700 (12-48V, 700mA, 33W)

Features:

- DALI Digital control input, Dimming control LED module
- Addressing output channel
- Support Touch DIM function, and can be dimmed manually
- Dimming range is from 0-100% (LED Will start from 1%)
- Used for DC Power supply
- Over-temperature protection
- Security level : 2
- Single channel 700mA constant current output The number of lamps can be connected: 1W X 3-12LED



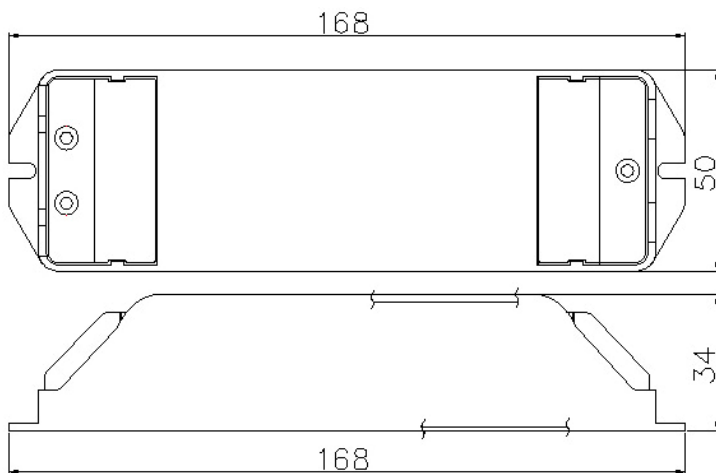
Model DALI-33-700

Technical parameter:

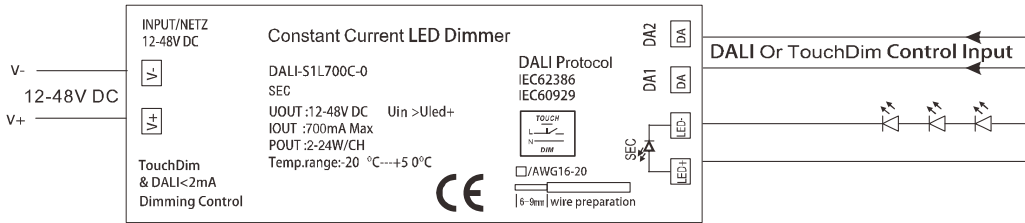
Parameter	Min.*	Nom.*	Max.	Unit
Input voltage range	12	12-48	48	Vdc
Touch DIM AC input voltage frequency range	45	50-60	65	Hz
Touch DIM AC input voltage range	5	-	290	VAC
12-48 V DC power factor	90	92	-	
Output current	630	650	700	mA/ ch
Peak current		<800		mA
Output voltage	9	9-40	40	V
Output power	3	3-36	36	W
Dimming control DALI definition		IEC62386	IEC60929	
Out casing temp	-	-	70	°C
Surrounding temp	-20	-	50	°C

*It's available in 25°C indoor

Size (mm):



Connecting:



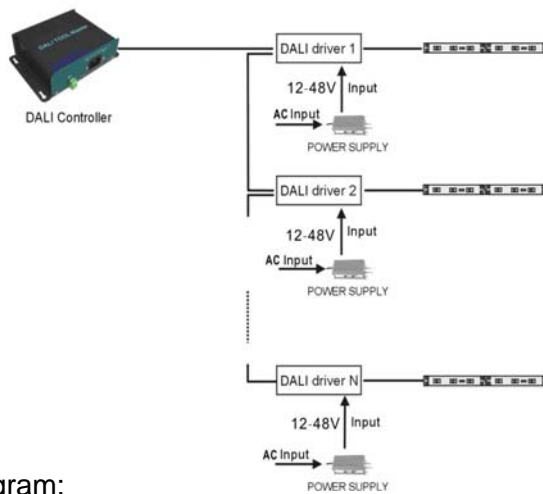
Touch DIM functions instruction:

- 1) Short press the Touch DIM switch (<0.5s) to control the lamp on or off
- 2) Long press the Touch DIM switch (>0.5s) to dim the brightness of light; The dimming direction will change every time after pressing switch
- 3) When the light being turned off, long press the Touch DIM switch can turn on the light and adjust it's brightness according to the dimming direction
- 4) The brightness adjustment range is 1%-100%, and the light can be turned off through short pressing when do the adjustment with long pressing Touch DIM switch
- 5) Power off memory function, the power-down state before will be maintained when power on again

Product installation notes:

- 1) Remark: DALI and TouchDIM functions cannot be used simultaneously, which can be controlled respectively by using DALI controllers or the equipments with TouchDIM function
- 2) Please read the connecting instruction picture before installation
- 3) Please use the complete set of product according to the provided specification
- 4) Please firstly pressure the cap end down in wire connecting process, then insert the thread of wire, and lastly check the wire is or not insert firmly
- 5) In order to avoid the damage of the equipment, please check the connecting method is correct or not before connecting the power

DALI wiring diagram:



TouchDIM wiring diagram:

