

# Светодиод OSPW5111P

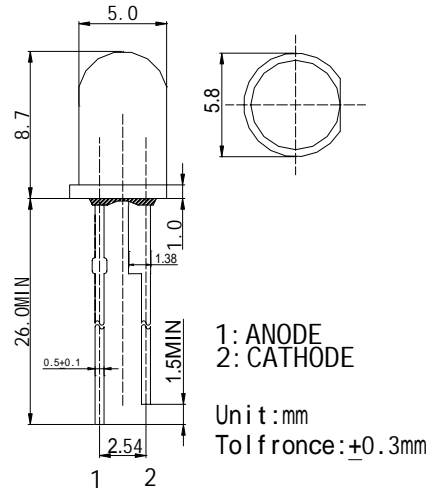
## ■Features

- High Luminous LEDs
- 5mm Standard Directivity
- Long Lifetime Operation Superior
- Weather-resistance
- UV Resistant Epoxy
- Long Leads with Soldering

## ■Applications

- Automotive Dashboard Lighting
- Small Area Illuminations
- Back Lighting
- Other Lighting

## ■Outline Dimension

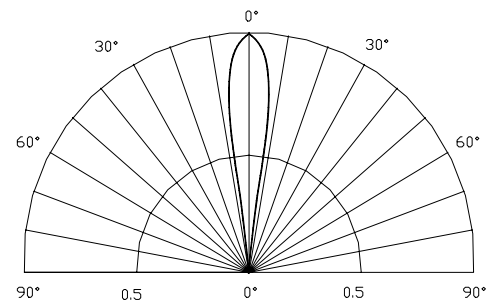


## ■Absolute Maximum Rating

(Ta=25 )

Item	Symbol	Value	Unit
DC Forward Current	$I_F$	50	mA
Pulse Forward Current*	$I_{FP}$	120	mA
Reverse Voltage	$V_R$	5	V
Power Dissipation	$P_D$	190	mW
Operating Temperature	$T_{opr}$	-30 ~ +85	
Storage Temperature	$T_{stg}$	-40 ~ +100	
Lead Soldering Temperature	$T_{sol}$	260 /3sec	-

## ■Directivity



\*Pulse width Max.10ms Duty ratio max 1/10

## ■Electrical -Optical Characteristics

(Ta=25 )

Item	Symbol	Condition	Min.	Typ.	Max.	Unit
DC Forward Voltage	$V_F$	$I_F=75mA$	3.0	3.3	3.8	V
DC Reverse Current	$I_R$	$V_R=5V$			10	$\mu A$
Luminous Intensity	$I_v$	$I_F=75mA$	40000	50000		mcd
Chromaticity Coordinate*	x	$I_F=75mA$		0.27		
	y	$I_F=75mA$		0.28		
50% Power Angle	$2\theta_{1/2}$	$I_F=75mA$		15	-	deg

