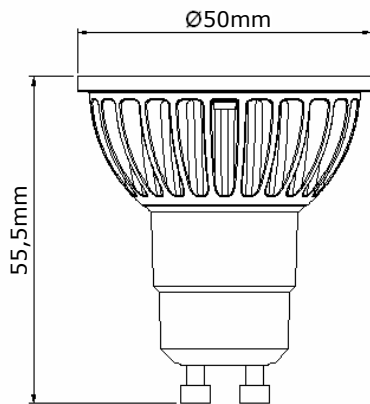


Wide GU10 HT-4.5W-DIMM White 220V



Line-Up:

Category	Specifications	Unit
Watts	4.5	W
Lumens per Watt (Efficacy)	51	Lm/W
Light Output	230	lm
Light Color (CCT)	6000	K
Beam Angle	120	°(degree)
Color Accuracy (CRI)	70	Ra
Product Weight	52	g
Dimension (mm)	50*55,5	mm
Rating Life	35 000	H
Base	GU10	
Input Voltage (AC)	230	V

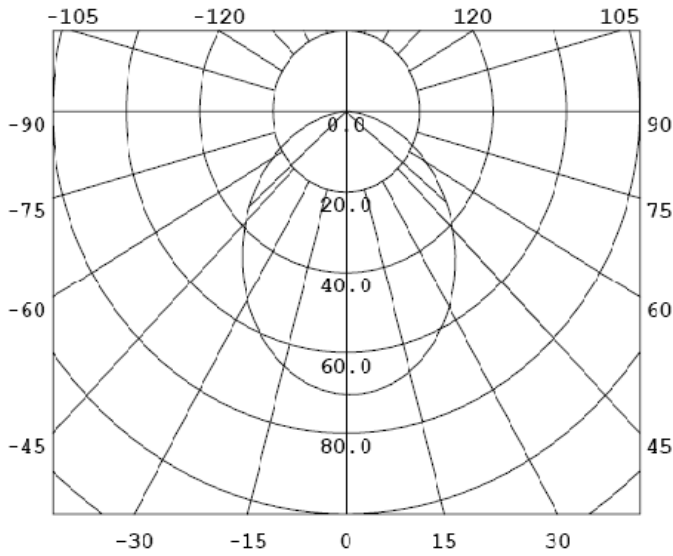
Technical Specifications:

Item	Test Conditions	Min.	Typ.	Max.
Input Voltage (V, rms)	AC	220	230	240
Input Current (mA, rms)	AC (230V)	---	19	---
Input Power (W, rms)	AC (All)	---	4.5	---
Input Frequency (Hz)	AC	---	50Hz	---
Power Factor (PF)	AC (All)	≥0.7		
Output Voltage (V)	DC	9.0	9.3	9.6
Output Current (A)	DC	260	275	290
Output Power (W)	DC	2.34	2.56	2.78

Environmental Requirements:

Specifications	Values
Operational Temperature Range	-20 ~ +40°C
Preservation Temperature Range	-20 ~ +90°C
Operational Humidity Range	95% Rh or belcw (@ -20 ~ +40°C)
Installation Area	Indoor (Counter, Residential, Commercial, etc)

Luminance Intensity Distribution:



Cone Lux Diagram:

